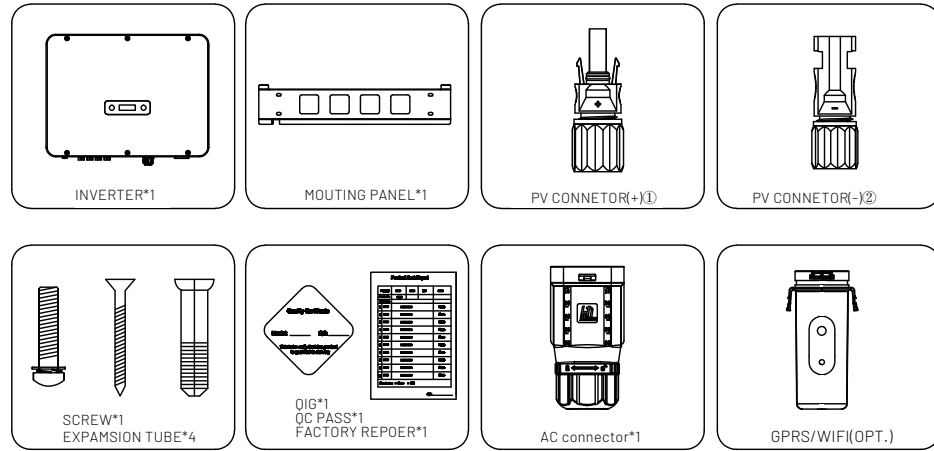


Quick Installation Guide

R3 Pre Series

I Package Information

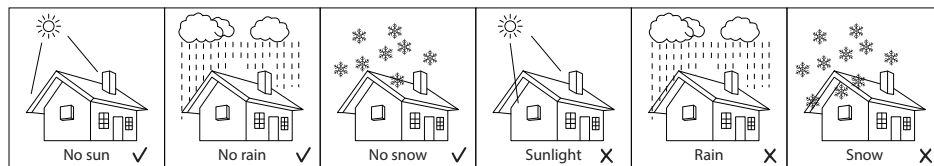


① There are 2 PV+ connectors for R3-10K-G5, 3 PV+ connectors for R3-15K-G5 and 4 PV+ connectors for R3-17/20/25K-G5

② There are 2 PV- connectors for R3-10K-G5, 3 PV- connectors for R3-15K-G5 and 4 PV- connectors for R3-17/20/25K-G5

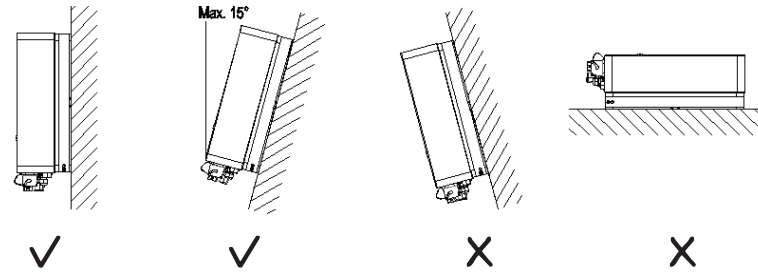
II Installation Environment

- 1) In order to achieve optimal performance, the ambient temperature should be kept lower than 45 °C.
- 2) For the convenience of checking the LCD display and possible maintenance activities, please install the inverter at eye level.
- 3) Inverters should not be installed near inflammable or explosive items. Any strong electro-magnetic equipment should be kept away from installation site.
- 4) Product label and warning symbol shall be clear to read after installation.
- 5) Please do not install inverter under direct sunlight, rain and snow.



III Installation Position

- 1) The installation method and mounting location must be suitable for the inverter's weight and dimensions.
- 2) Mount on a solid surface.
- 3) Select a well-ventilated place sheltered from direct sun radiation.



IV Installation Space

The installation minimum clearances around the inverter should be no less than the following value:

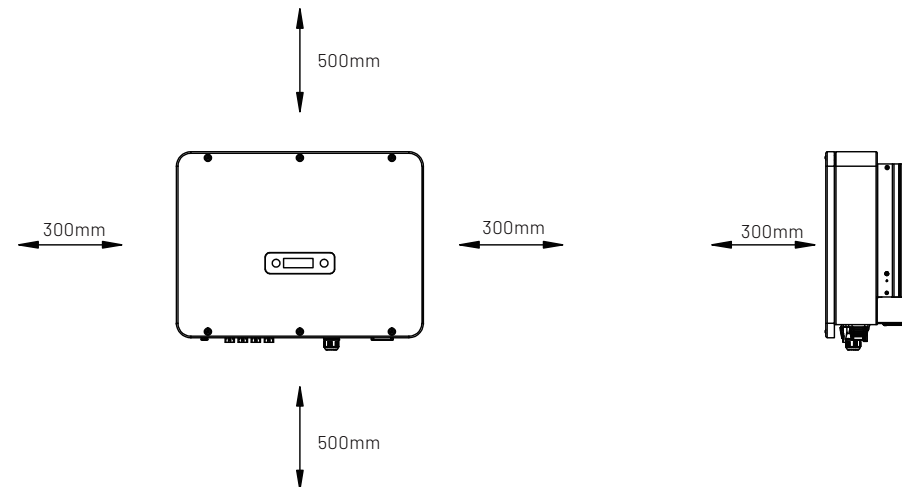
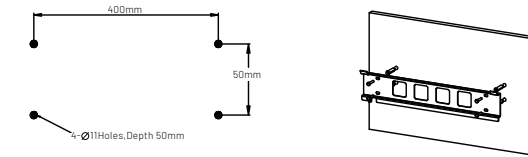


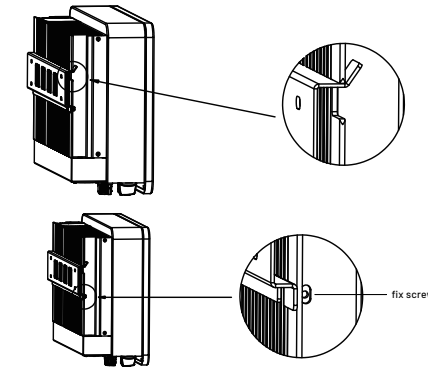
Figure 3-3 Distance required of Invertors

V Mounting The Inverter

- 1) Drill 4 Fix Ø11 holes in the wall according to the dimensions, fix the wall mounting bracket on the wall with 4 expansion bolts in accessory bag.



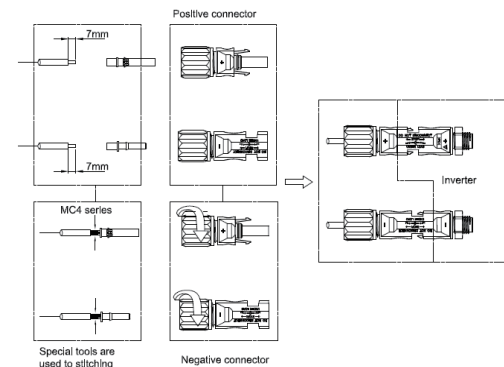
- 2) Place the inverter on the wall-mounted bracket and install the fix screws.



VI Electrical Connection

PV connection

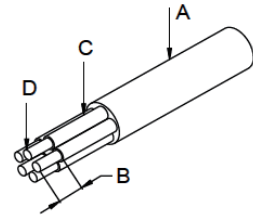
- 1) Connect the PV strings to DC input port of inverter; make sure the maximum open circuit voltage (Voc) of each PV string does not exceed the inverter input voltage Vmax under any condition.



AC connection

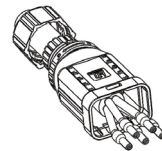
Connect the inverter to the grid:

1) Strip off PE/N/L1/L2/L3 cables as figure below:

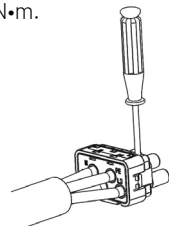


No.	Description	Remark
A	Protective layer diameter	15-25mm
B	Length of stripped off	16mm
C	Length of insulate layer	50mm
D	Cross section of ac cables	6-15mm ²

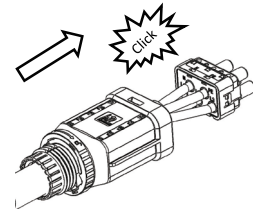
- 2) Crimp pin contact by using a crimping pliers.
- 3) Separate the AC connector.
- 4) Pass the crimped AC wire into the AC connector.



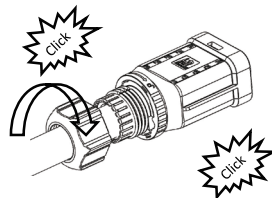
5) The cables are inserted into the terminal according to the wire sequence (L1/L2/L3/N/PE), so that the insulating terminal is flush with the surface of the terminal, and the crimping screw torque is 2.0±0.1N·m.



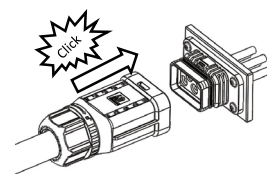
6) Insert the main part of AC connector into the terminal and hear a "click" sound.



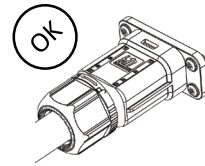
7) Use a wrench to tighten the nut, and there is a "click" sound.



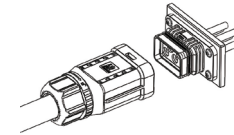
8) Insert the female end of the wire into the male end of the inverter and hear a "click".



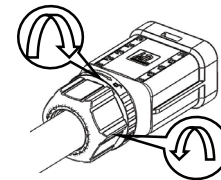
9) Complete the installation.



2) The female end connector is separated from the inverter end connector.

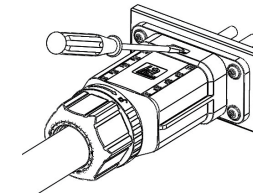


3) Hold the unlocking buckle with one hand and rotate it in the direction of the mark, and turn the nut in the opposite direction.

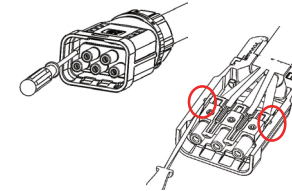


Disassembly the inverter from the Grid:

1) Use a screwdriver to press against the unlocked position and hold the wire nut and pull it back to complete the separation of the male and female ends.

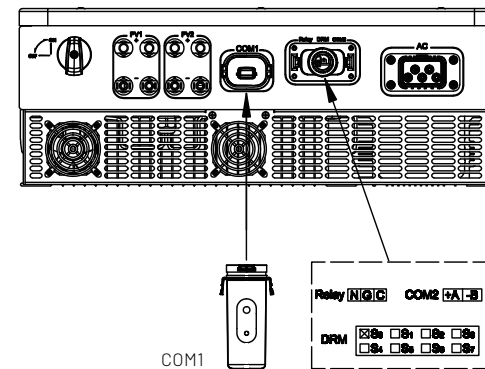


4) Use a screwdriver to peel off the positions (both sides) indicated by the red circle to complete the disassembly.



Communication connection

Overview of communication ports:

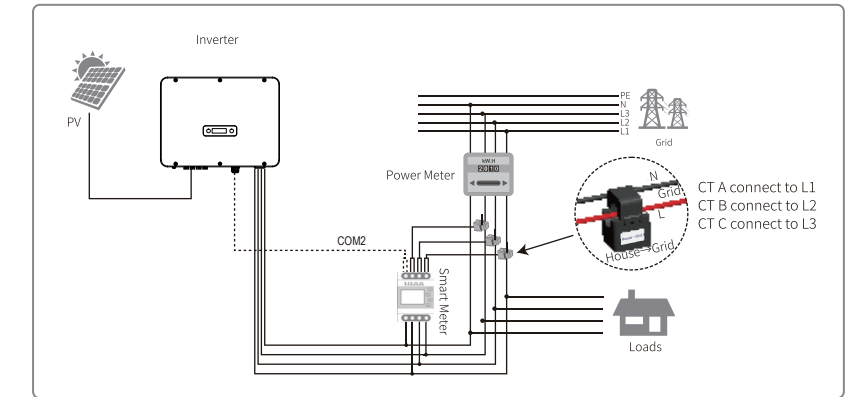


1) WIFI/GPRS Communication (optional)

Connect the WIFI/GPRS module to the COM1 port of inverter. After successful connection, information such as power generation and running state of the inverter can be viewed via the App on the phone. The details please refer to the module user manual.

2) Smart Energy Meter Connection (Optional)

The inverter is equipped with the feed-in power limit function, and the communication port for smart energy meter is COM2, below is the method of connecting the smart meter in system.



3) DRM and Relay connection

DRM (demand response modes) it is a special port as specified in the standard AS/NZS4777, and for CEI standard, DRM S0 is the DI port. The relay can be set to fault alarm output, it's a dedicated interface for Europe, User can use LED indicators or other equipment to indicate whether the inverter is in the faulty state. The details please refer to inverter user manual.

Starting The Inverter

Turn on inverter

- 1) Turn on inverter DC switch to "ON" position.
- 2) Close the DC and AC circuit breaker.

Commissioning

1) Language setting

Long press the function button to enter the "set language" interface, hit function button less than 1s to choose the language and long press the function button to confirm the setting.

Set Language
factory Set

2) Country setting

Long press the function button to enter the "set country" interface, hit function button less than 1s to choose the country and long press the function button to confirm the setting.

Set Country
factory Set